

## 2 way ball valve S6 hand operated



### General:

- Material: PVC-U
- Sealing materials: EPDM / FPM
- Ball seating joint: PTFE / PE
- Dimensions: DN10 – DN80  
d16 – d110  
d3/8" – d4"

### Connector types:

- Solvent socket DIN / ASTM / JIS
- Solvent spigot DIN
- Threaded socket BSP / NPT
- PE fusion spigot DIN
- PE fusion socket DIN

### Operating pressure:

PVC	DN10 – DN80 d110	PN16
PE	DN10 – DN80 d90	PN16
PE	DN80 d110	PN10

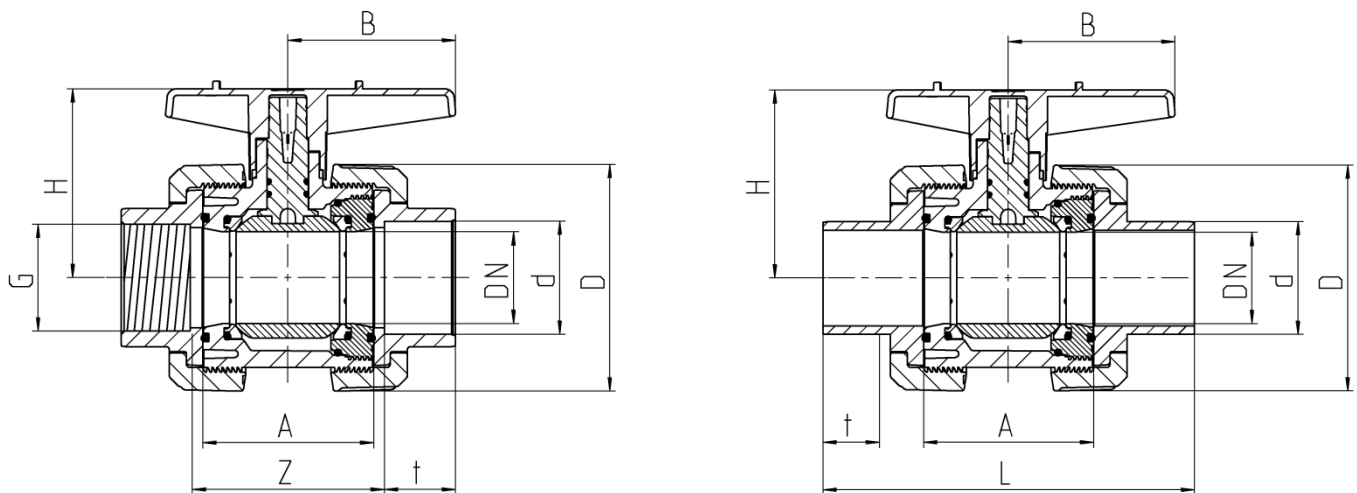
### Technical features:

- Radial installation or removal
- Double sided blocked ball
- Adjustable ball seating joint
- High durability because of PTFE or PE ball seating joint
- Maintenance free operation
- Double axle gasket
- Very easy handling and service because of:
  - Variable connector types
  - Demounting, mounting, dismantling and assembly without any additional tools

This document does not constitute a guarantee, it is for initial information purposes only. The product range is continually upgraded, the designs and types therefore only reflect the state of the art at the time of printing. Subject to technical modifications!

## 2 way ball valve S6 hand operated

### Dimensions:



### PVC-U

#### Connector types

PVC solvent socket / solvent spigot / threaded socket

PE fusion socket / fusion spigot

DN	10	15	20	25	32	40	50	65	80	80
d	16	20	25	32	40	50	63	75	90	110
<b>G</b> <sup>TSO1</sup>	3/8"	1/2"	3/4"	1"	1 1/4"	1 1/2"	2"	2 1/2"	3"	4"
<b>A</b>	44,5	44,5	50	52,5	61	77	87	110	136	136
<b>B</b>	42,5	42,5	55	55	65	75	75	111	133,5	133,5
<b>D</b>	55,5	55,5	62	70	87	101,5	115,5	144,5	180,5	180,5
<b>H</b>	47	47	53	55,5	76	88,5	98	126	150,5	150,5
<b>t</b> <sup>SSO2</sup>	16,5	16,5	19,5	22,5	26,5	31,5	38,5	45	56,5	61
<b>t</b> <sup>SSP3</sup>	17	17	20,5	23,5	27	32	40	45	54	-
<b>t</b> <sup>FSP4 PE</sup>	13	14,5	15,5	18,5	15,5	29	31	32	30	-
<b>t</b> <sup>FSO5 PE</sup>	14,5	16	17	19,5	22	25	29	31,5	38	42
<b>Z</b> <sup>SSO2</sup>	51	49	56	58	68	85	98	121	153	162
<b>Z</b> <sup>TSO1</sup>	50	50	57	60	67	86	98	123	156	-
<b>Z</b> <sup>FSP5 PE</sup>	54	51	60	64	75	97	115	138	182	186
<b>L</b> <sup>SSP3</sup>	98	123	140	152	172,5	193	223	260	297	-
<b>L</b> <sup>FSP4 PE</sup>	95	105	123	130	119	162	175	226	266	-
<b>PN</b> <sup>PVC</sup>	16	16	16	16	16	16	16	16	16	16
<b>PN</b> <sup>PE</sup>	16	16	16	16	16	16	16	16	16	10

Dimensions in mm

<sup>1</sup> TSO = threaded socket

<sup>2</sup> SSO = solvent socket

<sup>3</sup> SSP = solvent spigot

<sup>4</sup> FSP = fusion spigot

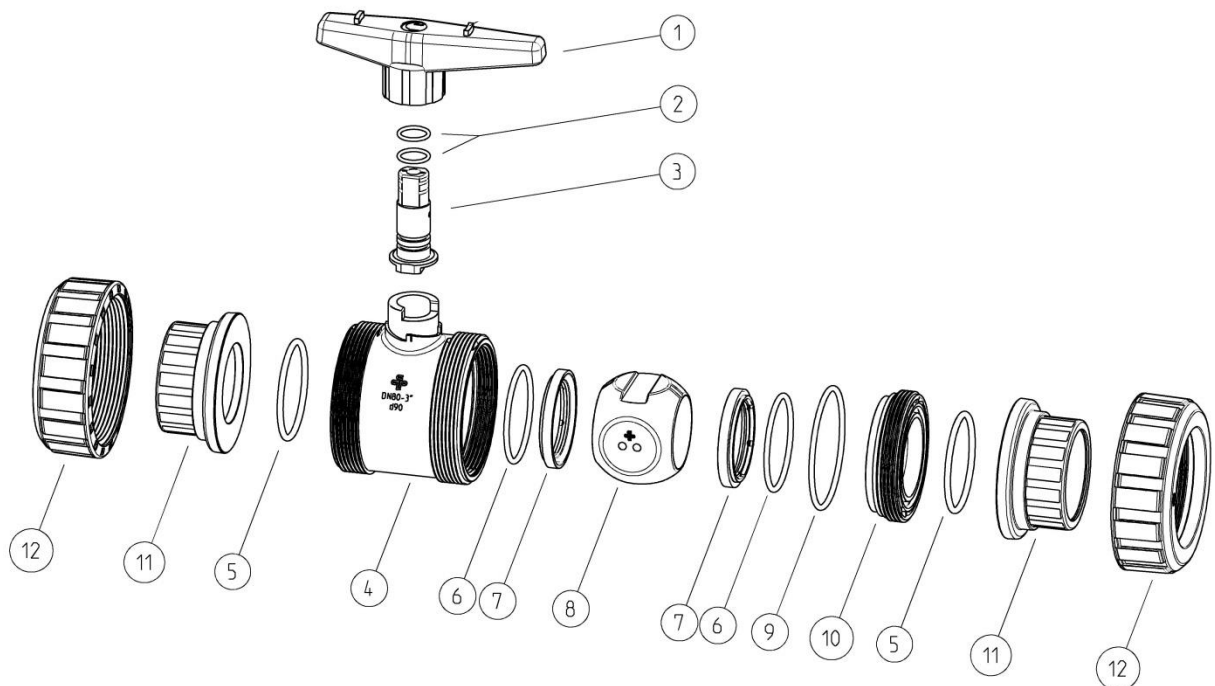
<sup>5</sup> FSO = fusion socket

- = currently not realized

## 2 way ball valve S6 hand operated

### Exploded drawing:

01. Handle
02. O-Ring
03. Shaft
04. Body
05. O-Ring
06. O-Ring (only at DN80)
07. Ball seating joint
08. Ball
09. O-Ring
10. Thrust collar
11. Connector types  
solvent socket /-spigot  
threaded socket  
fusion socket /-spigot
12. Union nut

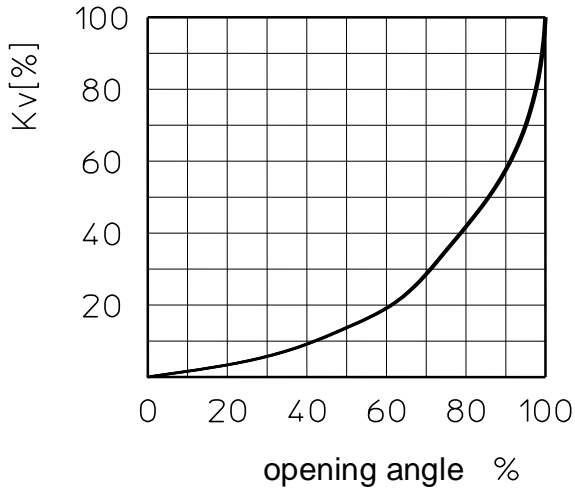


**2 way ball valve S6**  
hand operated

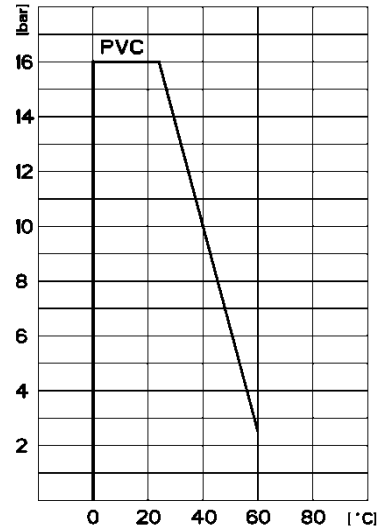


**Diagrams:**

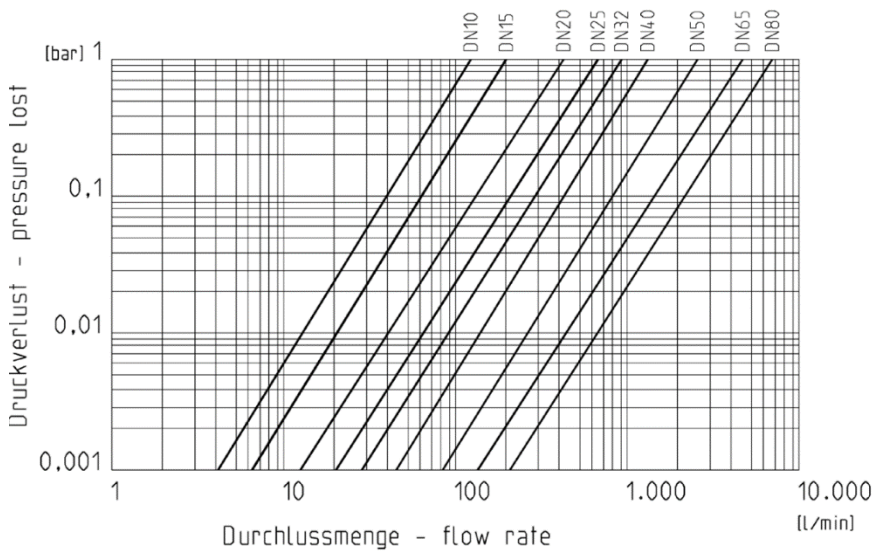
Flow characteristics



Pressure – Temperature – Diagram



Pressure loss diagram



Cv value table

Pressure loss	DN10	DN15	DN20	DN25	DN32	DN40	DN50	DN65	DN80
0,001 bar	4,1	6,3	13,3	20,5	28,4	44,2	82,2	143,8	212,5
1 bar	130	200	420	650	900	1400	2600	4550	6720

l/min